

Janome & Baby Lock Machine Club Feb 2018

Quilted Zippy Square

Supplies needed:

Embroidery/sewing machine in good working order
Power cord
Hoops – See chart on page 3
80/12 Quilting Needle
Polyester or Rayon Embroidery threads
Embroidery bobbin
Standard Sewing thread and bobbin to match your fabric
Collin's Wonder Tape
Floriani's No Show Mesh
Zipper Foot
General sewing supplies
Owner's Manual

Recommended Fabric:

Front - Quilt Weight Cotton or Blend

Lining - Quilt Weight Cotton or Blend

Applique (If you have it - prepare the fabric with Applique Wonder or Appli Stick) - Quilt Weight Cotton or Blend



www.apjproject.com
Copyright 2006-2018 by A PJ Project
All rights reserved

Materials needed for 2 Zippy Squares:

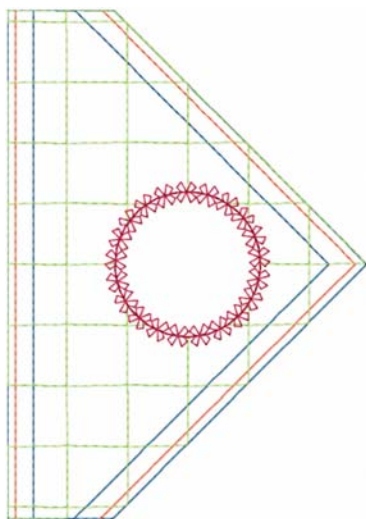
Fabric, batting and zipper - See chart on page 3

¼" Ribbon for all sizes - 2 ½"

PROJECT DESCRIPTION

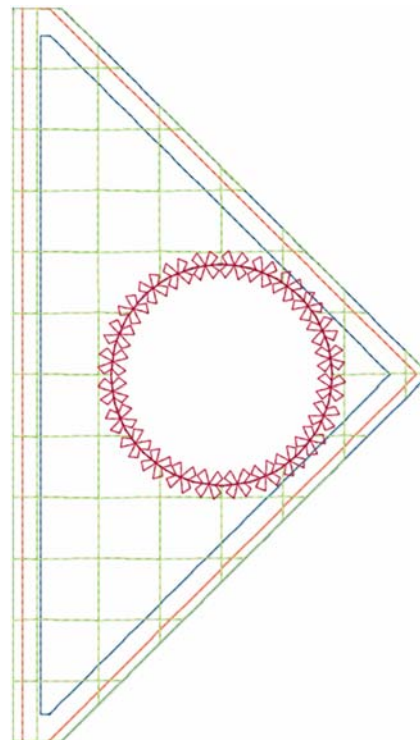
The Project this month is a quilted Zippy Square with a Back-Side Applique medallion. The Quilting, embroidery and Back Side Applique are done in the hoop, then the Zipper and final seam are done with your standard sewing machine. This is a very quick, easy and practical project! This Zippy uses #5 heavy Duty Zipper – 2 squares of fabric, 1 square of batting, 1 length of zipper and 2 zipper pulls will make 2 zippy squares!

DESIGN INFO – not to scale

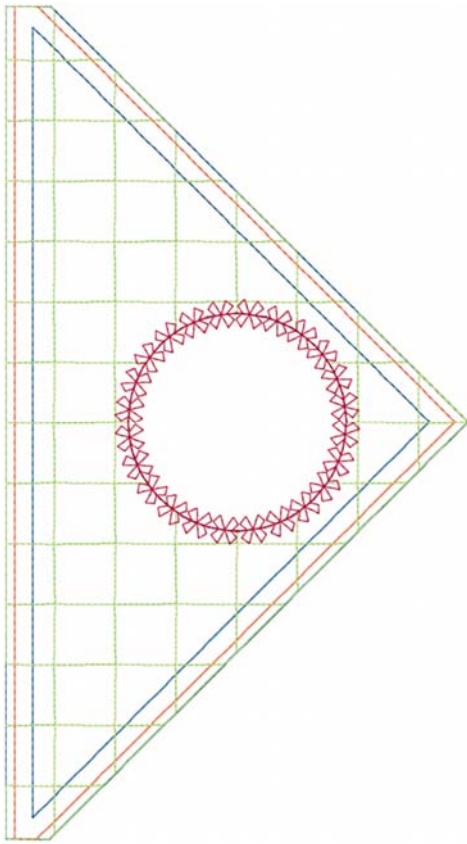


7tri

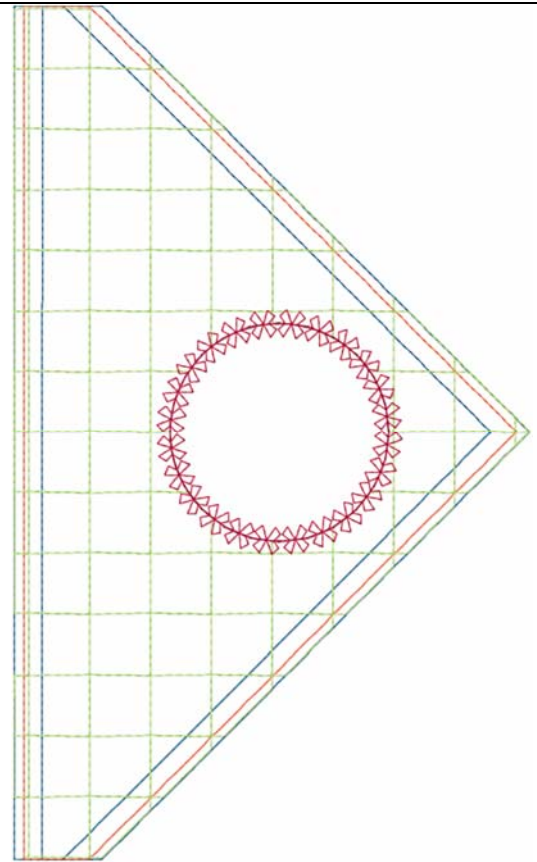
If you have only the 5 x 7 hoop, you can make the larger Zippy using double faced quilted fabric and doing only the Back Side Applique with the embroidery machine!



8tri



9tri



10tri

PROJECT PICTURE



Back side



Front side



Inside - the back side applique covers the monogram stitching

SIZE CHART

Design name	Fabric square	Batting square	Zipper length (enough for 2)	Hoop Size	Finished size
7tri	7"	5 ½"	11"	130 x 180 hoop (5" x 7")	3" square
8tri	8"	6 ½"	12"	160 x 260 hoop (6.3" x 10.2")	3 ½" square
9tri	9"	7 ½"	13"	200 x 300 hoop (8" x 12")	4" square
10tri	10"	8 ½"	14 ½"	200 x 300 hoop (8" x 12")	4 ½" square